

# MSF CHEST FREEZER SERIES

## Flat Glass Sliding Lids

### Models

MSF-31C

MSF-43C

MSF-52C

MSF-71C

### Features

- ▶ Interior LED lights for POS attraction
- ▶ Molded plastic lid frame heated with reverse gas

### Hardware & Construction

- ▶ White zinc coated, baked on enamel steel exterior
- ▶ Painted white powder coated steel interior
- ▶ Thick 2.5" foamed in place polyurethane insulation

### Door / Lid System

- ▶ Flat tempered glass sliding lids
- ▶ Lid lock and keys

### Temperature

- ▶ Control panel w/adj temp range +10 to -18°F
- ▶ External analog thermometer display

### Shelving / Baskets / Dividers

- ▶ Standard flat wire baskets with 3 compartments

### Standard

- ▶ Bottom defrost drain with plug
- ▶ Dual heavy-duty casters / two locking
- ▶ Removable rubber bumper guards / grill side
- ▶ Refrigerant CFC-free R-134a
- ▶ Refrigerant CFC-free R-404a (MSF71C only)
- ▶ 6-1/2 ft power cord and plug set

### Options

- ▶ Custom graphics



MSF-31C



MSF-43C



MSF-52C



MSF-71C

NOTE: Cabinet designed for optimum performance in climate controlled area at 85°F ambient and 55% relative humidity

#### WARRANTY

18 Months Parts and Labor  
 5 Years Compressor (part only)

Administered by:

Metalfrío Solutions 888-403-0070 TF  
 (U.S.A. Only)



Certified to ANSI/NSF 7 Standards



NEMA 5-15P

Product design and specifications are subject to modification by manufacturer without prior notice.

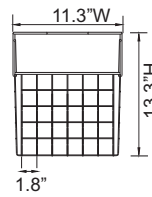
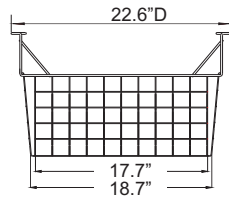
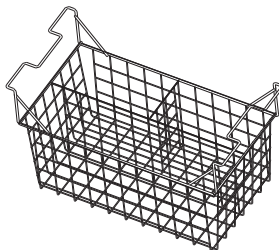
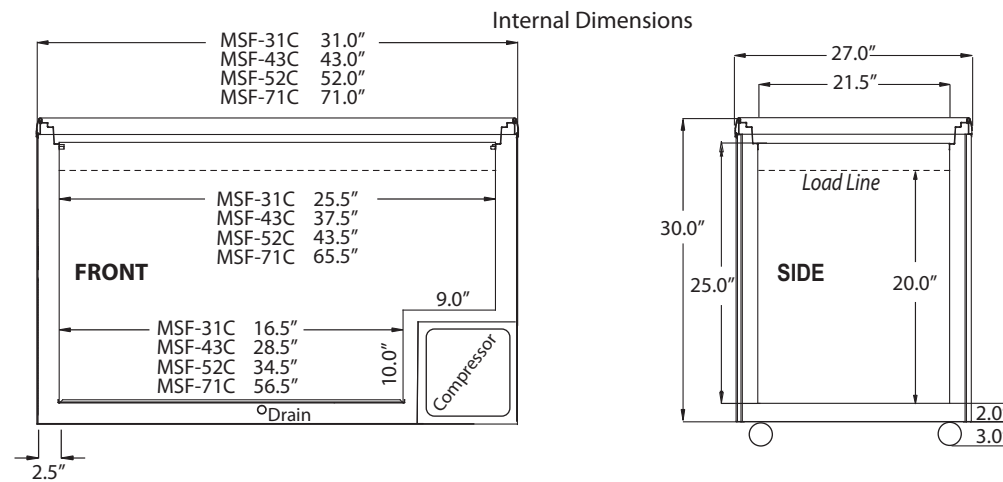
# MSF CHEST FREEZER SERIES

## Flat Glass Sliding Lids

Models  
 MSF-31C     MSF-52C  
 MSF-43C     MSF-71C

### Specifications

Model	Baskets/Fixed Dividers	External Dimensions W x D x H	Gross Cu Ft	Net Cu Ft	Shipping Weight	Amps	Compressor H/P	Electrical
MSF-31C	2 / 2	31.0" x 27.0" x 33.0"	7.5	6.0	166	2.0	1/3	115/120V, 60Hz
MSF-43C	3 / 2	43.0" x 27.0" x 33.0"	11.5	9.0	220	3.5	1/3	115/120V, 60Hz
MSF-52C	4 / 2	52.0" x 27.0" x 33.0"	14.0	11.5	235	3.5	1/3	115/120V, 60Hz
MSF-71C	5 / 2	71.0" x 27.0" x 33.0"	20.0	16.5	292	6.0	2/3	115/120V, 60Hz



### MSF Standard Basket Configuration

- Basket walls (4)  
11.3"W x 22.6"D x 13.3"H
- Vertical fixed divider (1)  
19.6"D x 8.3"H
- Horizontal fixed half divider (1)  
5.6"W x 8.3"H

### Features



Control Panel



External Temp Display